

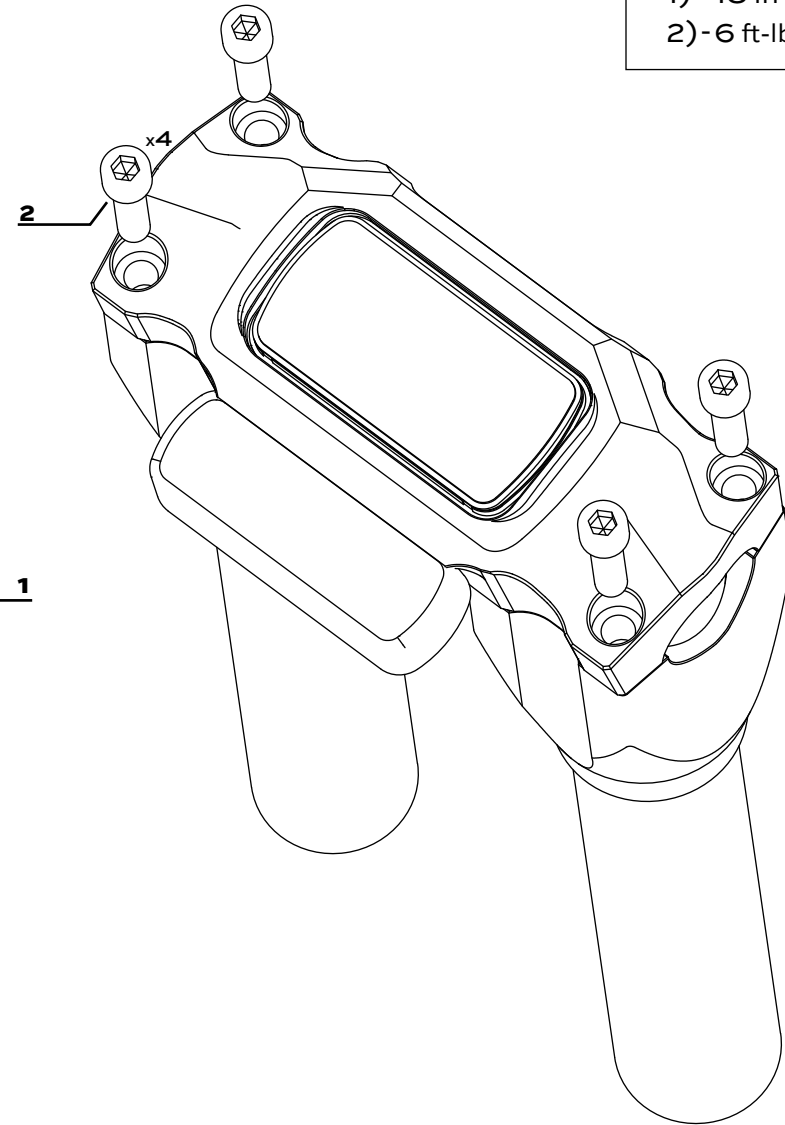
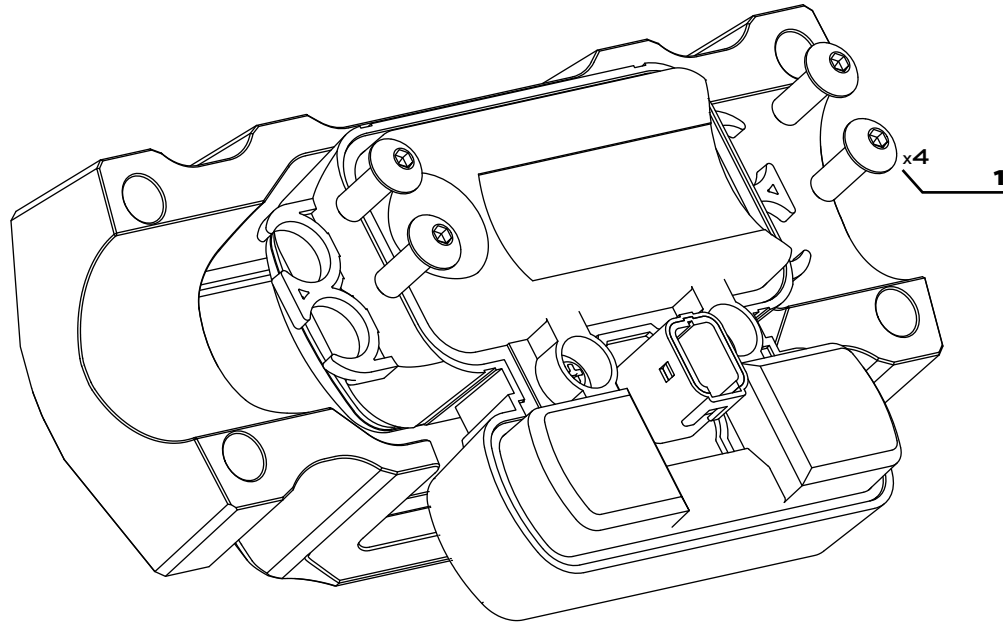
## CORE ISOLATED RISERS INSTALL GUIDE

### To begin installation:

- (1) Install rubber gasket/bronze bushings onto gauge.  
**NOTE:** Gasket and bushings are reused from existing Harley gauge, or purchased separately from KOSO.
- (2) Apply Loctite (blue) onto the 4 provided 8 - 32 x 7/16 screws. **Torque to 18 in-lbs**
- (3) Install bar onto risers. Torque supplied 1/4 - 20 x 1" hardware onto risers. **Torque to 6 ft-lbs**

### Torque specs:

- 1) - 18 in-lbs
- 2) - 6 ft-lbs



**DISCLAIMER:** Kraus Motor Co. recommends that you defer to a certified mechanic or technician on any installation when possible. Refer to your OEM service manual for procedure, step by step run through, required tools and specifications to make sure all pieces and parts are properly installed. Kraus Motor Co. is not responsible for improper installation of any OEM or Kraus component/kit. After completing installation, go for a slow, careful test ride. Afterward's, double check all pieces, parts and systems. Improper installation may result in severe injury or death.

# CORE ISOLATED RISERS

## INSTALL GUIDE

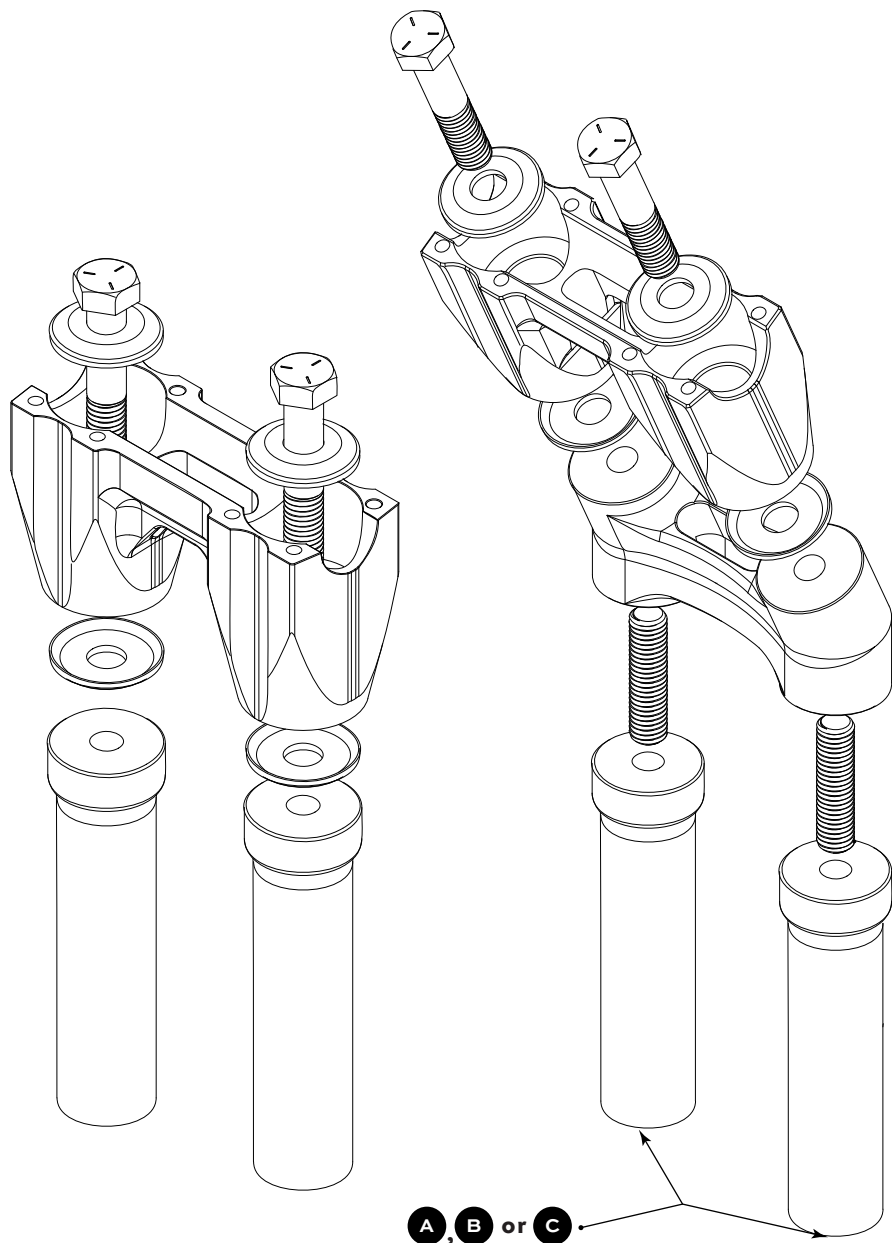
### NOTE:

Make sure each bolt has been screwed in evenly before tightening.

### TECH TIP:

Applying pressure to bolt and rotating counter- clockwise until threads “click” in will ensure that the bolt has been started correctly without stripping.

There **WILL** be a **SMALL GAP** after top clamp is torqued to 6 ft. lbs. Use an alternating tightening pattern to make sure that the gap is even across the top of the riser.



### MOUNTING BUSHING SETS INCLUDED: (DEPENDS ON FITMENT)

#### FITMENT:

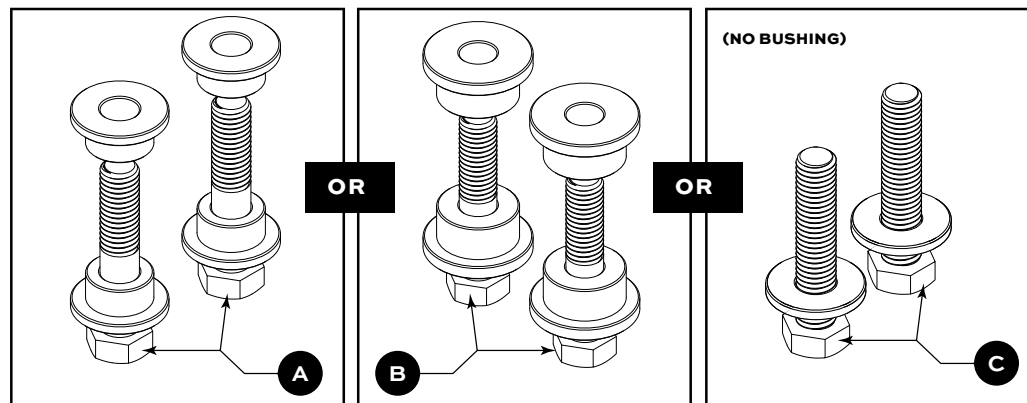
ALL TOURING MODELS AND  
2018 & UP SOFTAILS

#### FITMENT:

ALL DYNA, FXR AND  
2017 & BELOW SOFTAILS

#### FITMENT:

ALL MODELS RUNNING A KRAUS  
DYNAMOTO INVERTED FRONT END



### TORQUE SPECS:

- A** (SOLID MOUNT RISER BUSHING - TOURING/18 & UP SF) 1/2-13 X 2-1/2, GRADE 5 ZINC PLATED HEX HEAD SCREW — **55 FT. LBS.**
- B** (DYNA/FXR/17-BELOW SF SOLID RISER BUSHING) MEDIUM-STRENGTH GRADE 5 STEEL HEX HEAD SCREW ZINC-PLATED, 1/2-13 X 3 LONG, FULLY THREADED — **55 FT. LBS.**
- C** (KRAUS DYNAMOTO SOLID RISER BOLT & WASHER (NO BUSHING)) MEDIUM-STRENGTH GRADE 5 STEEL HEX HEAD SCREW ZINC-PLATED, 1/2-13 X 2 FULLY THREADED — **55 FT. LBS.**
- 18-8 STAINLESS STEEL SOCKET HEAD SCREW, 1/4"-20 THREAD SIZE, 1" LONG — **6 FT. LBS.**
- MEDIUM-STRENGTH GRADE 5 STEEL HEX HEAD SCREW, ZINC-PLATED, 1/2"-13 THREAD SIZE, 2-1/2" LONG, PARTIALLY THREADED — **55 FT. LBS.**